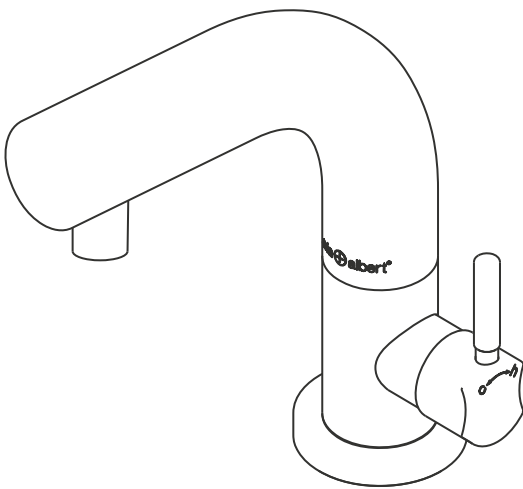


Tubo TU18



Fitting instructions

Notice d'installation

Instrucciones de montaje

Montageanleitung

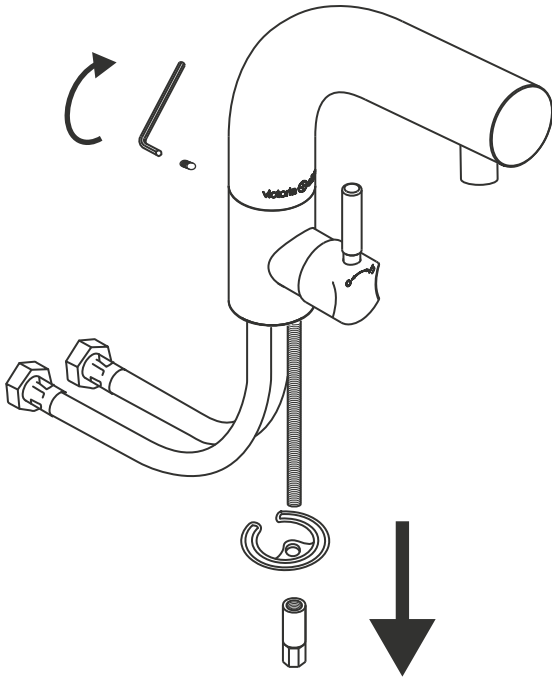
Istruzioni di montaggio

Montagehandleiding

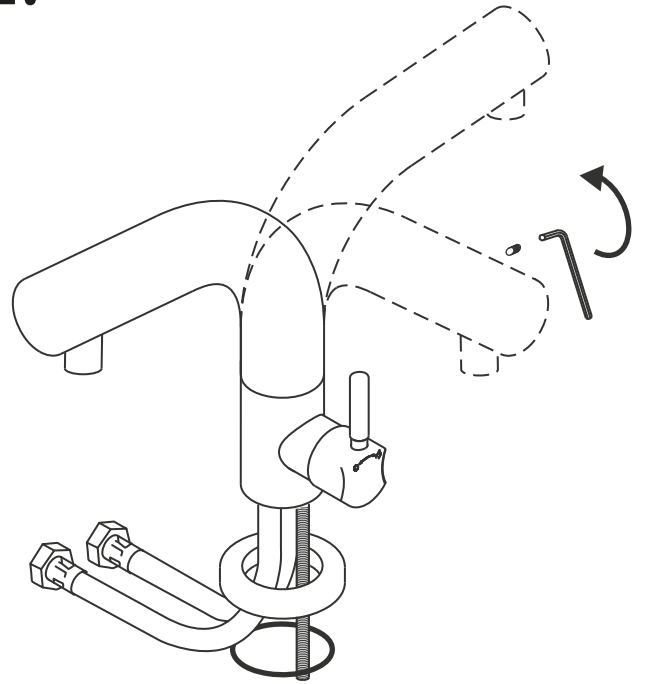
Instrukcja montażu

Указания по креплению

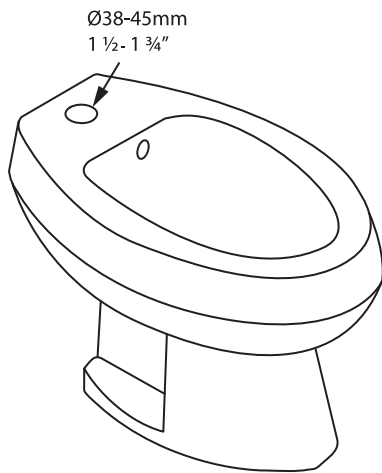
1.



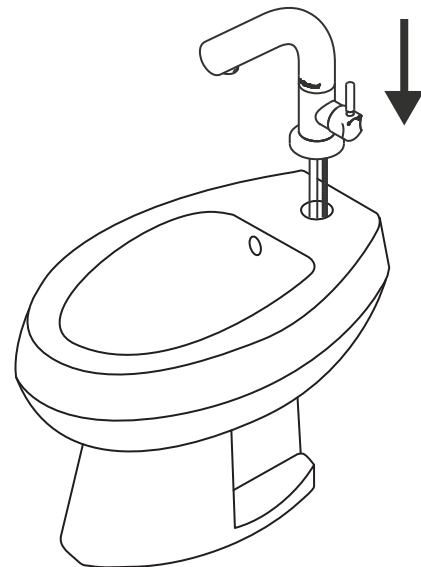
2.



3.



4.



5.

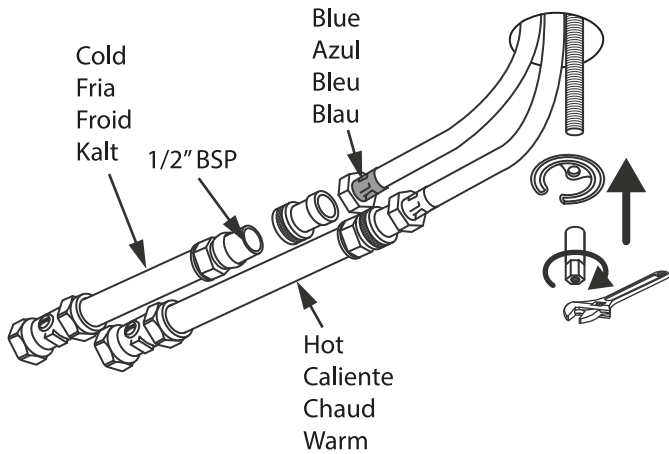


CHECK
COMPROBAR
VERIFER
ÜBERPRÜFEN

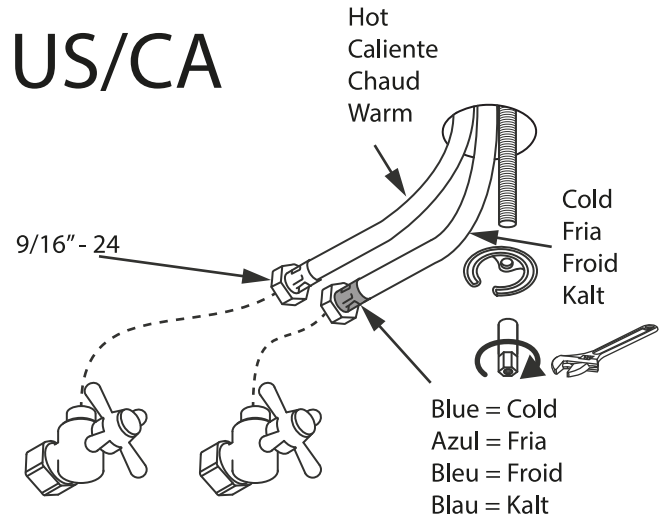


Clean Pipes
Limpiar Tuberias
Netoyer La Tuyaterie
Rohre Sauber Machen

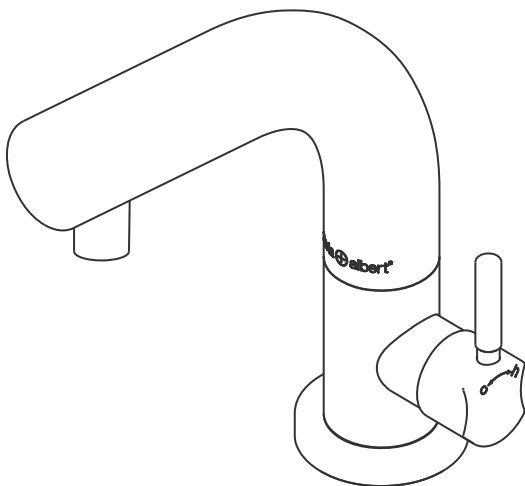
UK/EU



US/CA



CHECK
COMPROBAR
VERIFER
ÜBERPRÜFEN



UK/EU



1 - 5 Bar

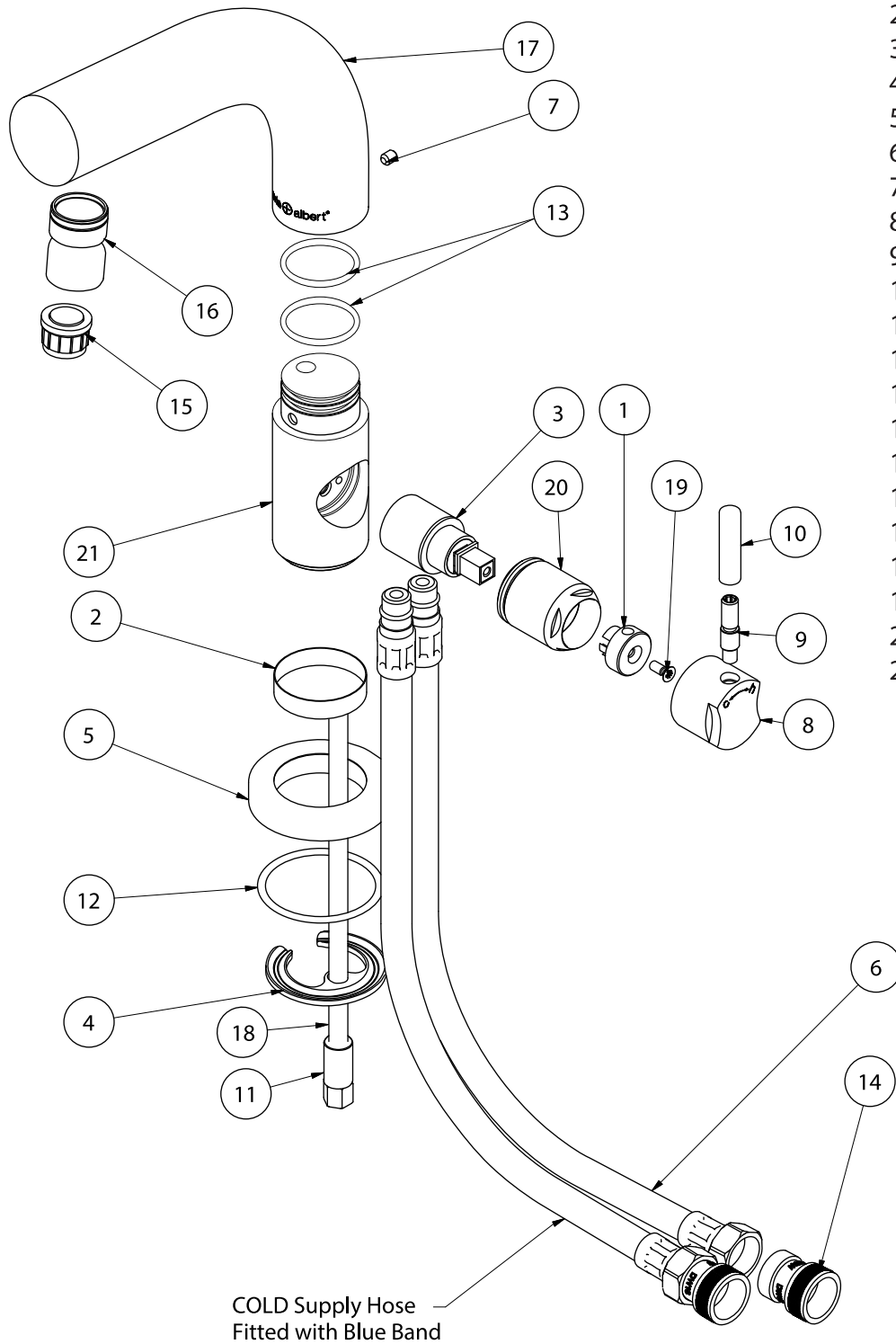
Max 12 L/min @ 3.0 Bar

US/CA



14.5 - 72.5 psi

Max 1.5 gpm @ 60 psi



1. Cartridge Adapter
2. Black Spacer Ring
3. Cartridge
4. C Plate
5. Base Flange
6. Flexible Tails
7. Grub Screw
8. Handle
9. Handle Peg Lower
10. Handle Peg Upper
11. Back Nut
12. O Ring
13. O Ring (x2)
14. Non Return Valve (x2) (EU Only)
15. Aerator
16. Aerator Housing
17. Spout
18. Threaded Bolt
19. Screw
20. Cartridge Shroud
21. Body