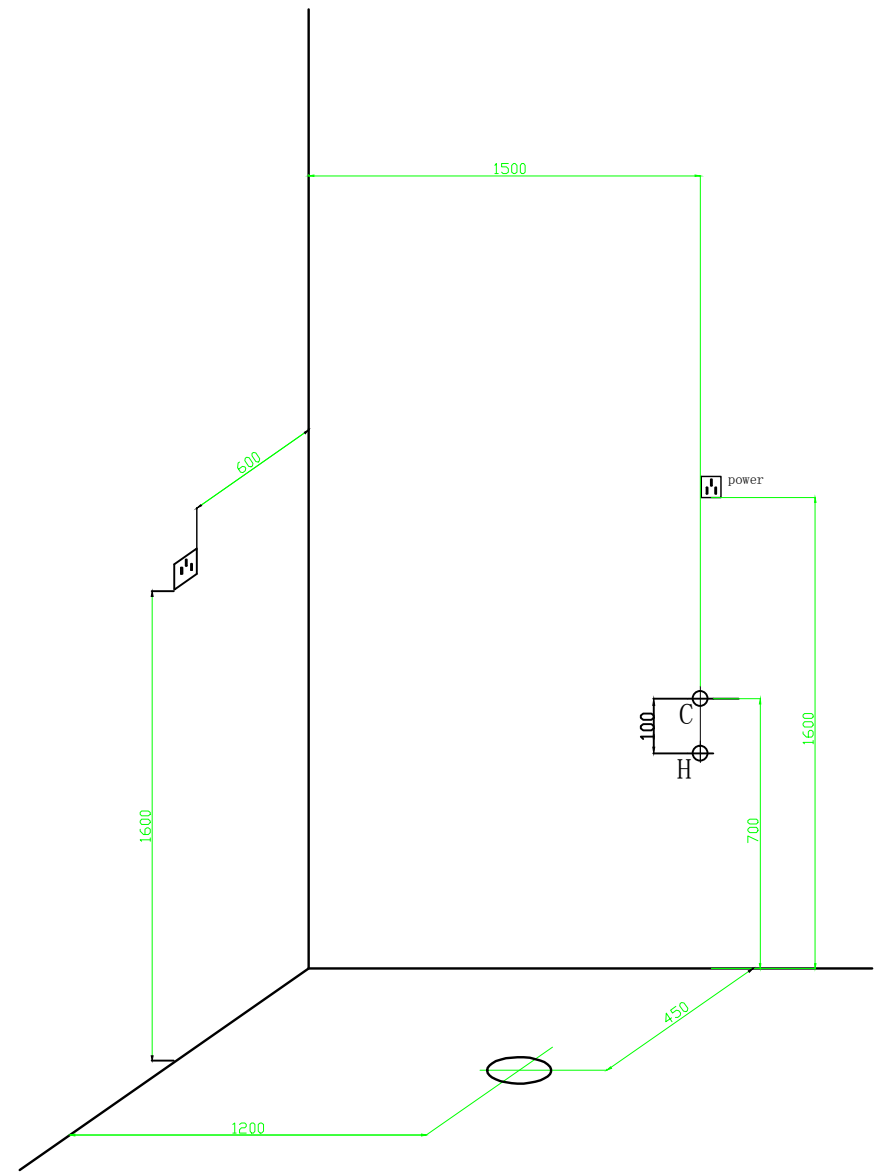


ICT1812L

steam generator: 3000W/AC220V
 infrared heater: 1320W/AC220V



water&power supply connection