



TERMA

SINCE 1990

Incorner

MORNING SKY // 1005 — 350 — 300 // 3-axis thermostatic valve + “Noble” thermostatic head // Cutoff valve

MODERN

Outcorner

MORNING SKY // 1005 — 300 — 350 // 3-axis thermostatic valve + “Slim” thermostatic head // KTX 4

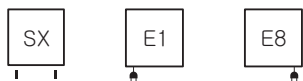


DESIGN: Krzysztof Kottowski

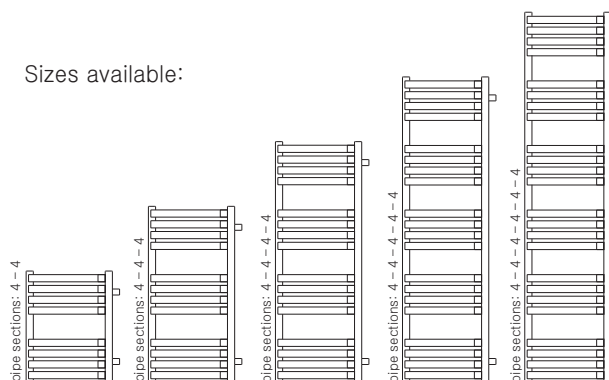




Standard connections:



Sizes available:

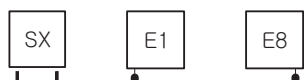


A	B	C	C'	$\frac{75^\circ}{65^\circ}$ $\frac{20^\circ}{20^\circ}$	$\frac{55^\circ}{45^\circ}$ $\frac{20^\circ}{20^\circ}$		D	E	F		
[mm]	[mm]	[mm]	[mm]	[W]	[W]	[W]	[mm]	[mm]	[mm]	[dm³]	[Kg]
465	350	365	–	284	153	300	365	315	76	1,5	5,3
735	350	365	–	415	223	400	365	585	76	2,4	8,1
1005	350	365	–	546	293	600	365	855	76	3,2	11,0
1275	350	365	–	677	363	800	365	1125	76	4,0	13,8
1545	350	365	–	808	433	800	365	1395	76	4,8	16,7

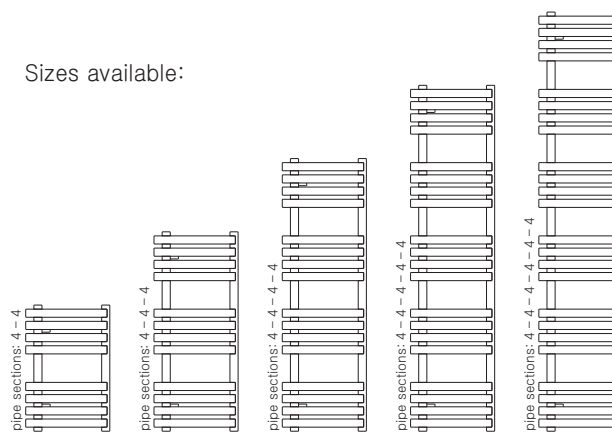
Outcorner — Design: Krzysztof Kottowski



Standard connections:

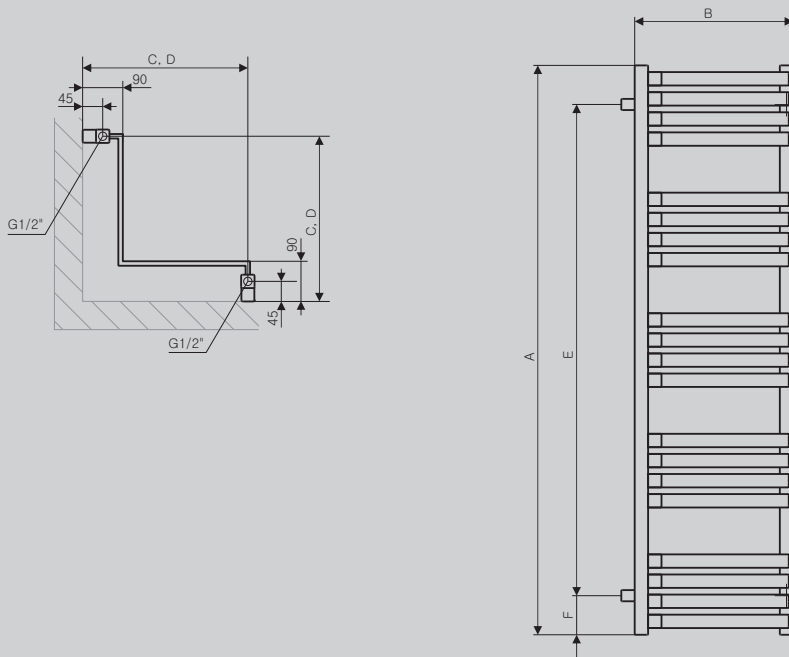


Sizes available:

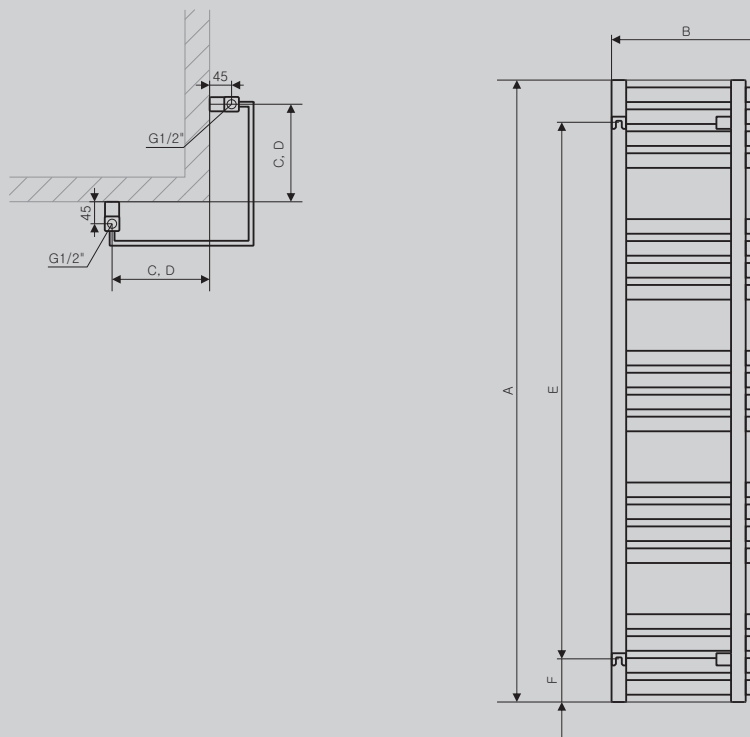


A	B	C	C'	$\frac{75^\circ}{65^\circ}$ $\frac{20^\circ}{20^\circ}$	$\frac{55^\circ}{45^\circ}$ $\frac{20^\circ}{20^\circ}$		D	E	F		
[mm]	[mm]	[mm]	[mm]	[W]	[W]	[W]	[mm]	[mm]	[mm]	[dm³]	[Kg]
465	300	195	–	294	160	300	195	315	76	1,6	5,4
735	300	195	–	421	228	400	195	585	76	2,4	8,3
1005	300	195	–	547	294	600	195	855	76	3,3	11,2
1275	300	195	–	673	361	800	195	1125	76	4,1	14,2
1545	300	195	–	799	428	800	195	1395	76	4,9	17,1

Incorner
SX



Outcorner
SX



Radiator Collector Profile

