



TERMA
SINCE 1990

Bone

NOBLE BROWN // 1260 — 500 // REG 3 // 50 mm connection valve + “Slim” thermostatic head

MODERN

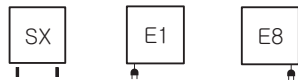




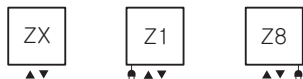
Wall-mounted



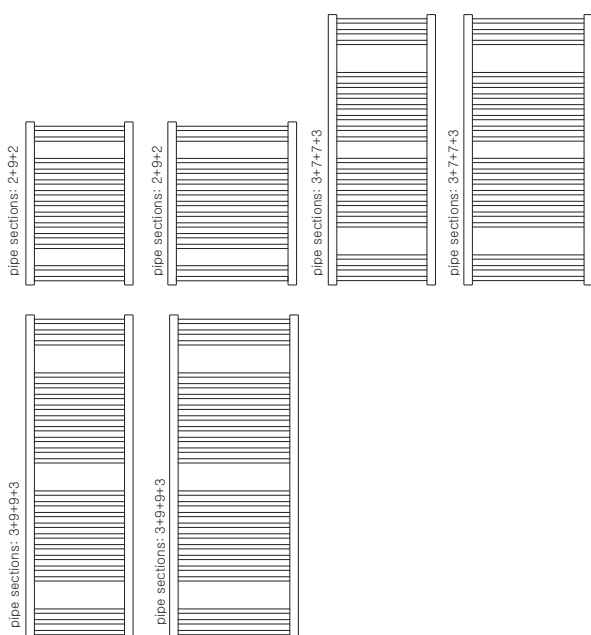
Standard connections:



Available on demand:



Sizes available:



Division wall



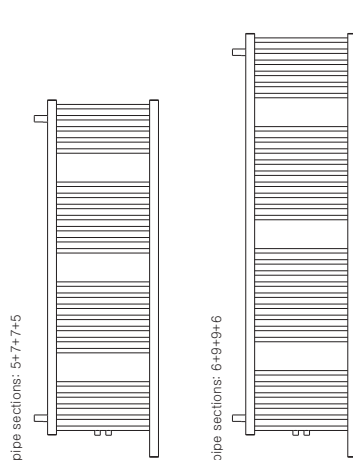
Standard connections:



Available on demand:

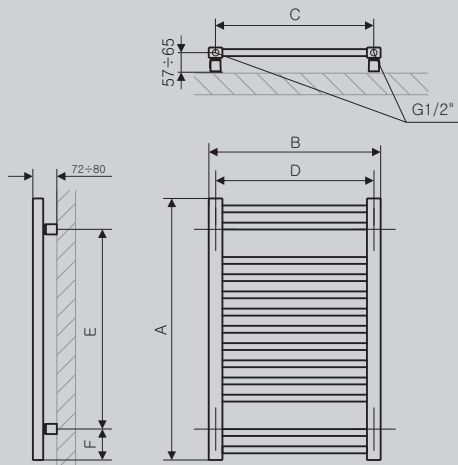


Sizes available:

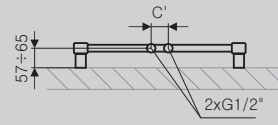


A	B	C	C'	$\frac{75^\circ}{65^\circ}$ 20°	$\frac{55^\circ}{45^\circ}$ 20°		D	E	F		
[mm]	[mm]	[mm]	[mm]	[W]	[W]	[W]	[mm]	[mm]	[mm]	[dm²]	[Kg]
Wall-mounted version (powder paint)											
760	500	460	50	320	173	300	460	580	90	3,09	7,09
760	600	560	50	384	208	400	560	580	90	3,46	8,19
1260	500	460	50	503	271	600	460	1080	90	4,93	11,06
1260	600	560	50	603	325	600	560	1080	90	5,51	12,75
1510	500	460	50	607	323	600	460	1330	90	5,92	13,22
1510	600	560	50	728	387	800	560	1330	90	6,61	15,24
Wall-mounted version (chrome)											
760	500	460	50	224	121	300	460	580	90	3,09	7,09
760	600	560	50	269	145	300	560	580	90	3,46	8,19
1260	500	460	50	352	190	400	460	1080	90	4,93	11,06
1260	600	560	50	422	227	400	560	1080	90	5,51	12,75
1510	500	460	50	425	226	400	460	1330	90	5,92	13,22
1510	600	560	50	510	271	600	560	1330	90	6,61	15,24
Division wall (DW)											
1610	500	50	—	607	323	600	—	1350	80	5,92	13,22
1910	500	50	—	702	404	800	—	1650	80	7,20	16,20

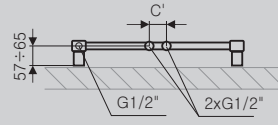
Wall-mounted
SX



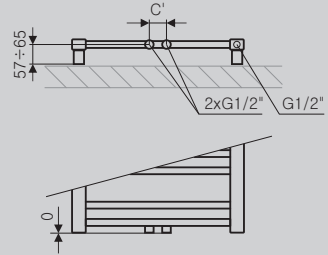
ZX



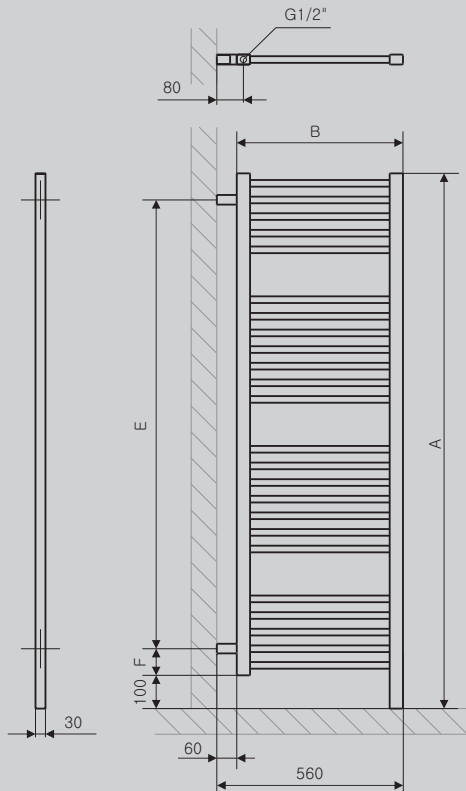
Z1



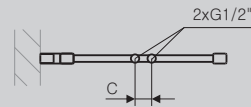
Z8



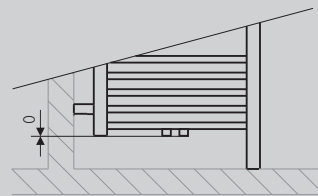
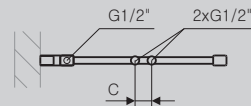
Division wall
O1



ZX



Z1



Radiator Collector Profile

