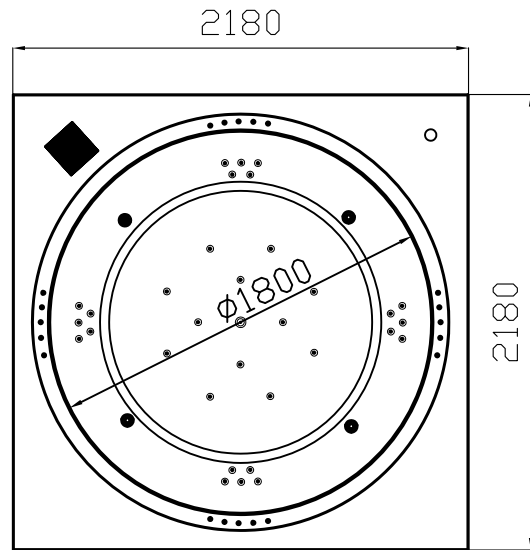
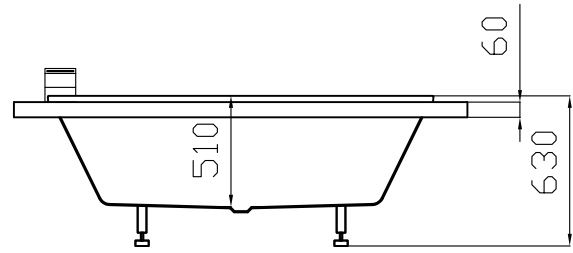


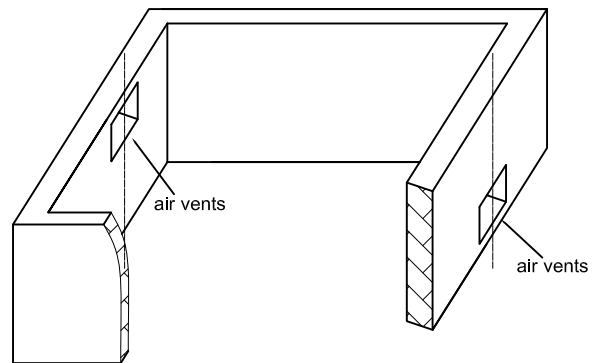
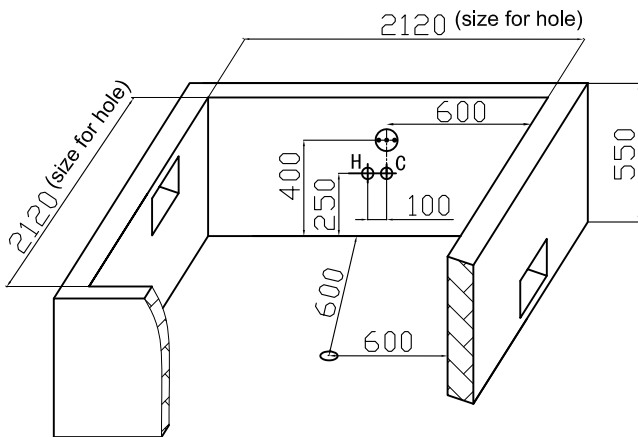
| | | | | |
|-------|--------------|--|------|-----------------|
| Model | WB2699/B6SII | with luxurious 316 stainless steel deck-mount faucet waterfall | Size | 2150X2150X630mm |
|-------|--------------|--|------|-----------------|

| No. | Configuration | Sketch | Unit | Qty |
|-----|---|--------|------|-----|
| 1 | HP1.5pump (220V,50HZ) | | pcs | 2 |
| 2 | HP0.5pump (220V,50HZ) | | pcs | 1 |
| 3 | little jet(can be closed) | | pcs | 32 |
| 4 | pop-up drain | | set | 1 |
| 5 | 1.5"backwater (with chromeplate cover) | | pcs | 3 |
| 6 | chromatherapy lamp | | pcs | 1 |
| 7 | luxurious 316 stainless steel deck-mount faucet waterfall | | pcs | 1 |
| 8 | B6S control system | | set | 1 |
| 9 | cleaner bottle | | pcs | 1 |
| 10 | overflow outlet | | pcs | 20 |



Plane Graph

| Product Parameter List | |
|---------------------------------------|--|
| rated power of pump/voltage/current | 2573W/220VAC/12A |
| rated power of heater/voltage/current | 2000W/220VAC/9A |
| water supply splice | G ₂ ¹ " metric external thread |
| drain pipe | no less than 1.5" |
| minimum water consumption(L) | |
| maximum water consumption(L) | |



water&power supply connection

- ⊙..... drain pipe (no less than 1.5")
- cold/hot water supply pipe(G₂¹"metric external thread)
- ⊙..... power line (refer to configuration, choose square numbers of electric wire (can refer to parameter list) .Product should connect earth wire.)
- air vents(specific working size should depend on the attached picture(1) of installation instruction for built-in tubs.)