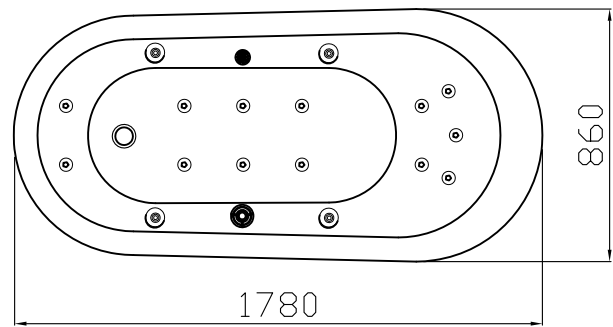
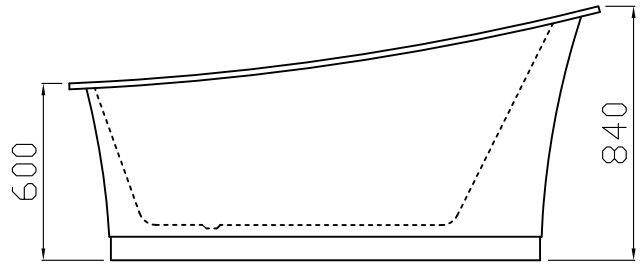


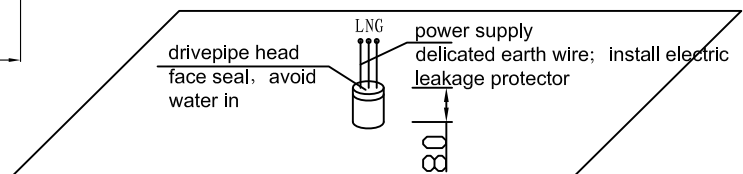
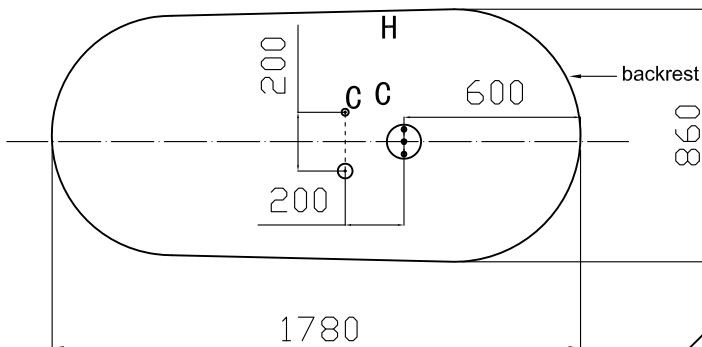
Model	WB232/B6S	without deck-mount faucet	Size	1780X860X840mm
-------	-----------	---------------------------	------	----------------

No.	Configuration	Sketch	Unit	Qty
1	HP1.5pump (220V,50HZ)		pcs	1
2	turbo jet (can be closed)		pcs	4
3	little jet (can be closed)		pcs	13
4	1.5"backwater (with chromeplate cover)		pcs	1
5	chromatherapy lamp		pcs	1
6	B6S control system		set	1
7	pop-up drain		pcs	1



Plane Graph

Product Parameter List	
rated power of pump/voltage/current	1150W/220VAC/5.6A
rated power of heater/voltage/current	2000W/220VAC/9A
water supply splice	G ₂ ¹ " metric external thread
drain pipe	no less than 1.5"
minimum water consumption(L)	180
maximum water consumption(L)	210



earth electrical power supply installation requirement:80mm higher than ground.

water&power supply connection

(Additional floor-stand faucet or wall-mounted faucet is needed, working plan of cold/hot water entry should fit the position of real object)

⊙..... drain pipe (no less than 1.5")

●..... cold water supply pipe(G₂¹"metric external thread, connectiong with cleaning pipe of tub)

⊙..... power line (refer to configuration, choose square numbers of electric wire (can refer to parameter list) .Product should connect earth wire.)